



TALEX Sp. z o.o.  
ul. Dworcowa 9c  
tel 77-141 Borzytucho  
.: +48 59 821 13 40  
e-mail: biuro@talex-sj.pl  
www.talex-sj.pl

## USER MANUAL WARRANTY



## PROFI CLEAN Sweeper



Borzytucho 2023

Issue 02

Translation of the original manual



TALEX Sp. z o.o.  
ul. Dworcowa 9c  
tel 77-141 Borzytucho  
.: +48 59 821 13 40  
e-mail: biuro@talex-sj.pl  
www.talex-sj.pl



#### ATTENTION!

Before using the machine, please thoroughly read this User Manual and observe the safety instructions contained herein.

**The User Manual constitutes an inherent part of the machine!**

Keep the User Manual in a safe place, where it should be accessible to the machine operator during an entire lifespan of the machine.

In the event of its loss or damage, you must acquire a new copy from the machine dealer or manufacturer.

If you sell or hand over the machine to another user, please attach the User Manual together with the machine's operating instructions and its Declaration of Conformity.

The manufacturer reserves the copyrights to the User Manual.

Copying, processing of the User Manual and its parts without the manufacturer's permission is strictly prohibited.



TALEX Sp. z o.o.  
ul. Dworcowa 9c  
tel 77-141 Borzytucho  
.: +48 59 821 13 40  
e-mail: biuro@talex-sj.pl  
www.talex-sj.pl

TALEX guarantees machine functionality when used following the technical and operational guidelines described in the USER MANUAL.

Defects revealed during the warranty period will be repaired by the Warranty Service.

The repair deadline is specified in the WARRANTY BOOK.

The warranty does not cover the machine parts and elements that are subject to wear under normal operating conditions, regardless the warranty period e.g.: bearings, blades/flails, protective skirts/stone guards, hydraulic hoses etc.

Warranty claims cover mechanical damage not caused by the user's fault, parts factory defects etc.

In case when the damage was caused by:

- Mechanical damage caused by user's fault or road accident,
- improper exploitation, adjustment and maintenance, use of the machine contrary to its intended use,
- using a damaged machine,
- repairs carried out by unauthorized persons, incorrect performance of repairs,
- unauthorized changes to the machine construction,

The user may lose the warranty.

The user is obliged to immediately report all noticed defects in paint coatings or traces of corrosion, and have the defects repaired, regardless of whether the damage is covered by the warranty or not. Detailed terms of the warranty are given in the WARRANTY BOOK attached to the newly purchased machine.



**WARNING !**

Demand the seller to carefully fill out the WARRANTY BOOK. The lack of, for example, the date of sale or the stamp of the dealership exposes the user to risk of warranty complaints rejection.



## Contents

1. Introduction .....	5
2. Machine identification .....	6
3. Safe operation rules.....	7
3.1 Operation.....	7
3.2 Connecting and disconnecting the sweeper.....	7
3.3 Hydraulic system.....	8
3.4 Transporting the sweeper .....	8
3.5 Maintenance .....	9
3.6 Working with the machine .....	9
3.7 Residual risks .....	10
3.8 Information and warning stickers.....	11
4. Intended use of the machine.....	13
5. Design and principle of operation .....	13
5.1 Main technical data .....	13
5.2 General construction of the sweeper .....	16
5.3 Structure and operation of the hydraulic system .....	17
5.3.1 Version with side brush and hydraulic drainage of the waste tank .....	17
5.3.4 Version with hydraulic drainage of the waste tank .....	18
5.3.5 Basic version .....	19
5.4 Structure and operation of the sprinkler system .....	21
6. Preparation to work.....	22
7. Proper positioning of the sweeper.....	23
7.1 Roller brush.....	23
7.2 Hydraulic drainage of the tub.....	24
7.3 Sweeper operation without the waste tank .....	25
7.4 Side brush.....	26
8. Inspections and replacement of parts .....	29
8.1 Assembly and disassembly of the roller brush .....	29
8.2 Assembly and replacement of the side brush .....	31
9. Troubleshooting .....	32
10. Lubrication points .....	33
11. After-season service .....	33
12. Disassembly, utilization and environment protection .....	33
13. Warranty .....	34

## 1. Introduction

Before the first use of the sweeper, you must thoroughly read and understand this instruction manual, and follow all the instructions contained herein.



**ATTENTION!**  
Read the instruction manual  
before use

This instruction manual contains a description of hazards that can occur in case of non-compliance with safety rules during operation and maintenance of the sweeper. The instruction manual specifies precautionary measures to be taken to minimize or avoid risks. This manual also contains principles of correct use of the sweeper and specifies the maintenance operations to be performed.

If you do not understand any information contained herein, please contact the manufacturer directly.



**ATTENTION!**  
This warning symbol alerts about a hazard.  
The warning symbol indicates important hazard information provided in the instruction manual. Please read the given information, follow the instructions and take special care.



TALEX Sp. z o.o.  
ul. Dworcowa 9c  
tel 77-141 Borzytucho  
.: +48 59 821 13 40  
e-mail: biuro@talex-sj.pl  
www.talex-sj.pl

## 2. Machine identification

Each sweeper is equipped with a rating plate, which contains the most important identification data. The rating plate is located on the machine in such a position, that it is easy to find and to read. The data contained on the rating plate confirms compliance of the sweeper with the applicable safety regulations. For this reason, the plate cannot be reused or removed.



[www.talex-sj.pl](http://www.talex-sj.pl)  
biuro@talex-sj.pl  
+48 59 82 113 40

Sp. z o.o.  
ul. Dworcowa 9c  
77-141 Borzytucho  
POLAND



Nazwa/Name:	<b>ZAMIATARKA PROFI CLEAN</b>		
Typ/Type: <b>ZP-2800</b>	Nr seryjny/Serial No.:	<b>0001</b>	
Masa/Weight: <b>1350 KG</b>	Rok produkcji/ Year of production:	<b>2023</b>	

Manufacturer's rating plate includes:

- full name of the manufacturer,
- weight,
- serial number of the sweeper,
- quality control mark,
- sweeper symbol,
- manufacture date,
- the CE marking means that the sweeper is in line with the Directive 2006/42/EC and harmonized standards.



The data presented on the manufacturer's rating plate are required for consideration of complaint or for ordering spare parts.



### 3. Safe operation rules

The sweeper can only be used by adults, who have learnt its operation and read this User Manual, and are properly qualified. The sweeper should be handled with all necessary precautions, in particular:

#### 3.1 Operation

- In addition to this instruction manual, also observe the general rules of health and safety at work.
- Observe warning symbols placed on the machine.
- The sweeper may be operated by a person with the proper authorization to drive the vehicle to which it is attached, in accordance with the manufacturer's instructions.
- Please note, there are many elements of the machine that may cause an injury (sharp edges, protruding parts, etc.). While using the equipment, exercise particular caution when moving close to the above-mentioned critical spots and it is obligatory to use the following personal protection equipment:
  - protective clothing,
  - protective gloves,
  - protective footwear,
  - safety eyewear
- Before beginning to work with the sweeper, you should familiarize yourself with the way it operates, occupational safety rules and recommendations for maintenance and adjustment procedures, by reading this User Manual.
- The sweeper must be equipped with all the safety guards (provided by the manufacturer), preventing access to any moving parts. The guards must be complete and fully operational.
- Threats still remain; therefore, the application of safe operation rules and reasonable conduct should be the basic principle of using the machine.
- It is strictly forbidden, to operate the machine by persons under the influence of alcohol or other intoxicants.
- Never allow the vehicle towing the sweeper to be driven by a person other than the sweeper operator, and under no circumstances allow any other persons to be on the vehicle, or by the machine, during its operation.
- It is forbidden to use the machine contrary to its intended use. Any use of the machine for other purposes than those stipulated by the manufacturer is inconsistent with the intended use of the machine and may void the warranty. The manufacturer will not be responsible for any consequences resulting from improper use of the machine.
- Should the information contained in the manual be difficult to understand, please contact your dealer or the manufacturer.

#### 3.2 Connecting and disconnecting the sweeper

- It is prohibited to connect the machine to a carrier vehicle if the hydraulic oils used are of different grades



- It is prohibited to connect the sweeper, if the mounting of the suspension system is not compatible with the vehicle mount.
- The carrier to which the machine is be connected must be technically sound and meet the manufacturer's requirement.
- Do not stand between the vehicle and the machine. The person assisting in the operation of the sweeper must stay outside the danger zone and be visible to the operator of the vehicle at all times.
- Specially care shall be taken when connecting and disconnecting the machine.
- The sweeper, when disconnected from the carrier must be supported on all three support wheels, and stored on a flat, even, hardened ground in a place inaccessible to any third parties and animals.
- Use only the original pins to connect the machine.
- When adjusting, do not place your fingers and limbs between the structural elements of the machine.
- TUZ (three-point hitch suspension system) assembly protection of the sweeper with pins should be made only using the typical secure cotter pins. Do not use other securing elements.

### **3.3 Hydraulic system**

- The hydraulic system is under high pressure during operation.
- Check the condition of the connectors and hydraulic lines on a regular basis; any leaks or damage are unacceptable.
- In the event of a malfunction, stop using the machine immediately until the malfunction has been removed.
- Use the oil recommended by the manufacturer. It is forbidden to use the sweeper, if a different hydraulic oil is used in the vehicle than in the machine.
- In the event of injuries caused by an oil jet, consult a physician immediately. Hydraulic oil can cause infection. If oil gets into your eyes, rinse with plenty of water and contact your physician. Use water and soap to wash the area of skin that came into contact with oil. Do not use solvents (petrol, kerosene).
- Store the waste oil in sealed containers, and periodically deliver it to the special treatment points.
- Rubber hydraulic hoses must be replaced every 3 years regardless of their technical condition.
- Any repairs and replacements of hydraulic system components may only be performed by a suitably qualified person.

### **3.4 Transporting the sweeper**

- When driving a vehicle with the sweeper attached, but not working, ensure the safe transportation height of ~ 0.3m.
- Take special care when driving on public roads, and comply with the applicable road traffic regulations.





- The transportation speed should be adjusted to the condition of a road surface, it should not exceed however 20km/h.
- It is forbidden to carry persons or objects on the machine.
- Do not leave the vehicle with the sweeper on a hillside or other sloping surfaces, without securing the vehicle from rolling down. Place chocks under the wheels of the vehicle and apply the parking brake. Leave the machine when stopped.
- Check the technical condition for safety, in particular the elements of the suspension system and of the hydraulic system.
- Reckless driving and excessive speed can cause an accident.

### **3.5 Maintenance**

- When commissioning and transporting the sweeper, inspect its technical condition to check for damage.
- It is forbidden to stand under the raised sweeper, as this may result in being crushed by the machine.
- Take care to with unbuttoned, or loose items of work clothes during the operation, assembly, disassembly or adjustment. Keep them away from components that could snag them.
- Due to normal wear, check the condition of bearings, screw connections, hydraulic system components.
- Before carrying out any work on the hydraulic system, the residual oil pressure must be eliminated.
- Any modifications of the sweeper exempt the manufacturer from liability for any resulting damage or injuries.
- No work (maintenance or repair) is allowed under the raised and unsecured machine.
- Observe the general health and safety rules.
- Any repair, maintenance and cleaning work shall only be carried out with the ignition key removed from the vehicle's ignition switch, the parking brake applied and secured against access by third parties.
- When replacing parts, use only the original parts of the manufacturer, who does not bear any responsibility for the use of non-original parts.
- In case of any work requiring the sweeper to be lifted, use only certified mechanical or hydraulic lifts intended for this purpose. Having lifted the machine, use additional stable and durable supports. It is not allowed to work only under the suspension system of the carrier vehicle and to use supports made of fragile elements (hollow bricks, concrete blocks, etc.)
- After lubrication, remove excess grease.

### **3.6 Working with the machine**

- Before starting the carrier vehicle, check that the external hydraulic system is not running, as otherwise this can lead to an uncontrolled starting of the machine.

- Before lifting or lowering the machine, make sure there are no persons (especially children) or animals nearby. The operator of the machine is obliged to ensure proper visibility and space for the work.
- The operating position of the operator, while working with the sweeper is the cabin of the vehicle to which the machine is attached. It is forbidden to leave the cabin during operation.
- When filling the water tank, lower the machine to the working position and turn off the engine.



Failure to follow the above rules may be dangerous for the operator and bystanders and can cause damage to the sweeper. The user is responsible for any damages caused by the non-compliance to the above principles.

### 3.7 Residual risks

Talex has made every effort to eliminate the risk of unfortunate accidents. However, there is some residual risk that can lead to an accident and is primarily related to the activities described below:

Table 1.

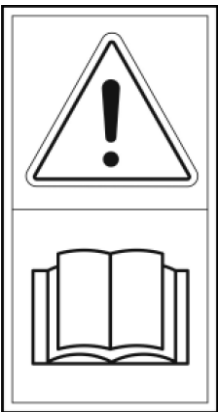


No.	Hazard	Hazard source (cause)	Hazard protection measures
1	Overloading the locomotor system (physical load)	Working in a standing position, inclined-forced position, walking, moving objects	Reading and understanding the instruction manual, workplace training including lifting standards for the manual transportation labour, proper techniques for lifting and carrying weights, use of another person's assistance, moving devices such as jacks, winches
2	Falling over (tripping, slipping, etc.)	Uneven terrain, messy environment - objects lying and standing around, cables lying on communication roads, slippery surfaces	Suitable footwear, levelled terrain, paying attention, maintaining order, familiarization with the instruction manual
3	Hitting stationary, protruding parts of the machine	Machine and its surroundings	Proper positioning of a machine, safe space to move around, proper organization of work, paying attention, familiarization with the instruction manual
4	Struck by moving objects	Elements ejected by the machine, e.g. items, stones etc.	Maintaining caution, marking the danger zone, banning walking in the immediate surrounding of the working machine, use of personal protective equipment (helmet, safety glasses), reading and understanding the instruction manual
5	Sharp, dangerous edges	Protruding structure elements of the machine, use of hand tools	Personal protective equipment – protective gloves, buttoned up work clothes, paying special attention
6	Hydraulic system	High pressure in the hydraulic system, poor condition of hydraulic couplings, rubber hoses, leaks	Prohibition of moving, approaching and making adjustments while the machine is running, replacement of tubes according to the manufacturer's recommendations (every 3 years), maintaining special care, use of protective clothing, use of safety goggles, regular examination of the hydraulic system condition, reading and understanding the instruction manual
7	Weight of the suspended standing machine	Improper mounting, , wrong setting of the machine, improper operation, leaving the suspended machine on the carrier vehicle	Paying special attention, use of personal protective equipment - safety footwear, protective gloves, secure setting of the machine, help of another person, use of lifting jacks, davits, familiarization with the instruction manual


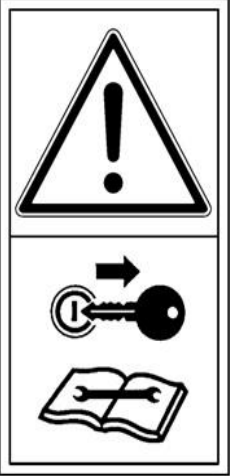



8	Micro climate - variable weather conditions	Work carried out in different weather conditions	Suitable working clothes, beverages, creams with sun screens, proper rest, familiarization with the instruction manual
9	Noise	Too high rotational speed of the machine, damaged, loose, vibrating parts	Work only with the machine in good mechanical condition, regular inspections, proper rotational speed, familiarization with the instruction manual

### 3.8 Information and warning stickers

All markings shall always be legible and clean, visible to the user and to people who may be in the vicinity of the working machine. In the absence or damage of any safety mark, replace it with a new one. All components with safety marks replaced during repairs shall be provided with such marks. Safety marks may be obtained from the manufacturer or at POS.

TABLE 2 Information and warning stickers

No.	Symbol	Description
1		Before using the machine, read the entire user manual.
2		Liquid under high pressure. Keep a safe distance from the functioning machine.
3		Danger of injury by ejected objects. Keep a safe distance from the functioning machine.

4		Do not approach or touch the rotating brushes.
5		Switch off the engine and remove the ignition key before any servicing or maintenance procedures.
6		Warning message about pressure in the hydraulic system.
7		Sweeper hoist places when moving.
8		Commercial designation.



## 4. Intended use of the machine

The TALEX sweeper is designed to remove dirt on all hardened surfaces. Is it ideally suited to sweep squares, traffic routes and car parks covered with paving stones, asphalt and concrete.

The ability to mount it to a tractor or loader allows it to be used in agriculture, horticulture, as well as in municipal or industrial plants.

Using the machine in other circumstances will be construed as inconsistent with the intended use. Strict compliance with the requirements for the use of the machine, its operation and maintenance as recommended by the manufacturer is a prerequisite for use as intended.

The machine should be operated, serviced and repaired by persons familiar with its specific characteristics and acquainted with the rules of conduct in terms of occupational safety.

Accident prevention regulations and all basic rules of safety and hygiene, as well as traffic regulations must always be observed.

Unauthorised changes to the design of the machine without permission of the manufacturer waives the manufacturer's liability arising due to any resulting damage or injury.

## 5. Design and principle of operation

### 5.1 Main technical data

Table 3.

Model	Sweeper 2800
Sweeping width	2800
Recommended sweeping speed	5 km/h
Type of working items	Sweeping roller + side brush (option)
Drive	External hydraulic system of the carrier vehicle
Rotational speed of the sweeping roller: - recommended - maximum	100 rpm 150 rpm
Maximum hydraulic operating pressure:	160 bar (fixed)
Oil demand, minimum	80 l/min, version with one side brush approx. 100 l/min, with two brushes approx. 120 l/min
Water tank capacity	250 dm <sup>3</sup>
Number of spray nozzles	9+1
Sprinkler system power supply	12V or 24V from the carrier vehicle's socket



TALEX Sp. z o.o.  
ul. Dworcowa 9c  
tel 77-141 Borzytucho  
.: +48 59 821 13 40  
e-mail: biuro@talex-sj.pl  
www.talex-sj.pl

### OVERALL DIMENSIONS

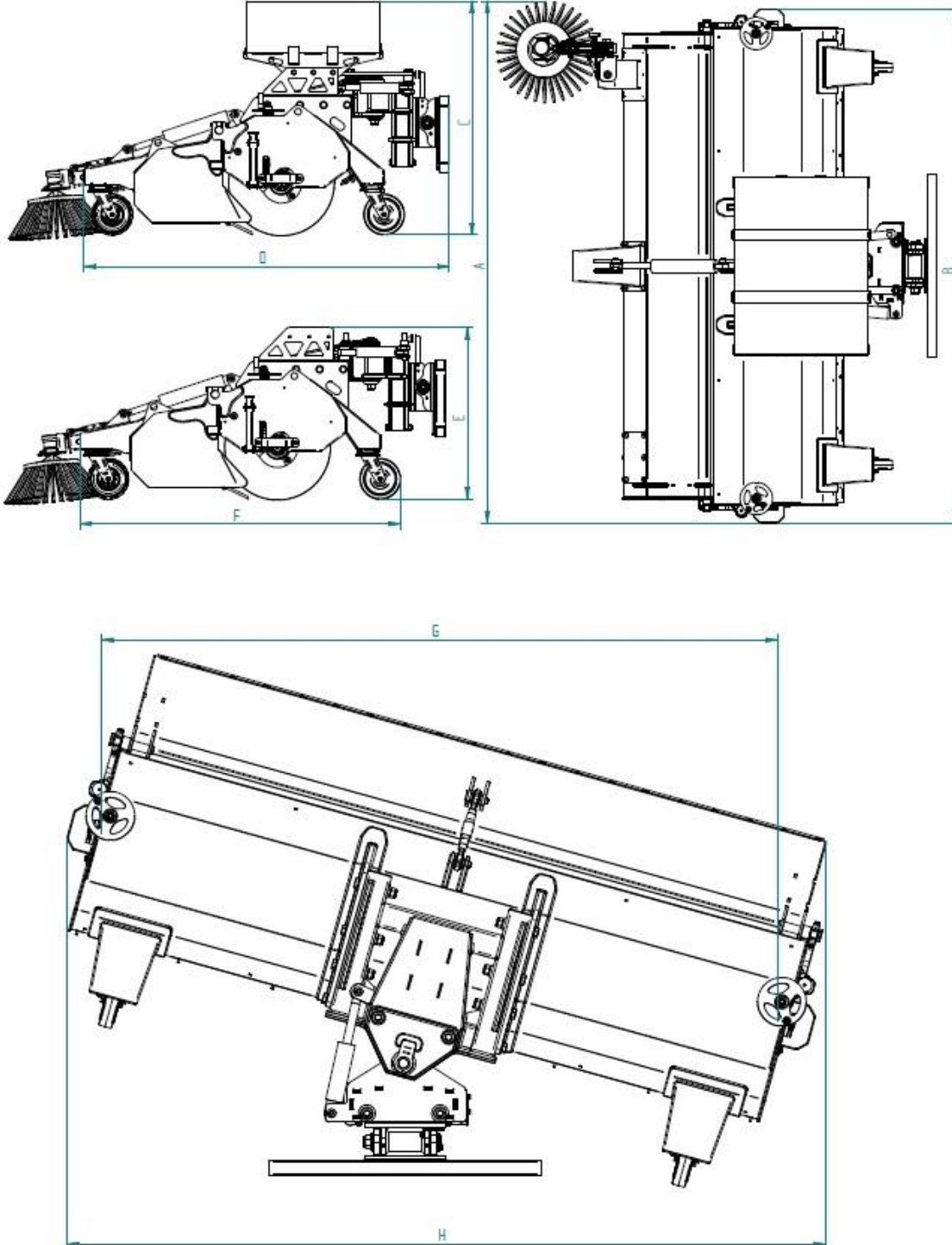




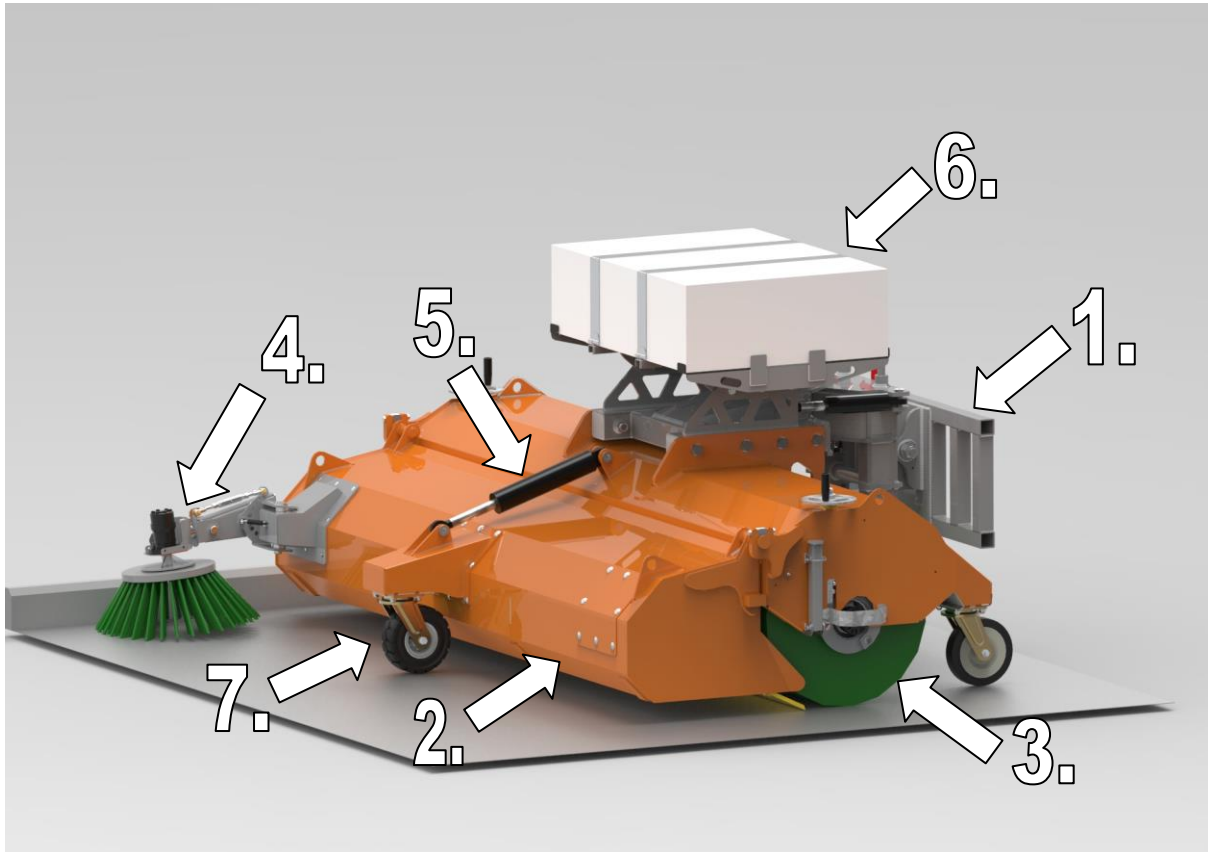
Table 4. Overall dimensions [mm]

Sweeper type		ZP-2800
Width of roller brush [mm]		2800
Diameter of roller brush [mm]		650
A	Width of the (entire) machine with side brush	3205
B	Width of the (entire) machine w/o side brush	3155
C	Height of the (entire) machine with the water tank	1440
D	Length of the (entire) machine with an attached wheel loader	2245
E	Height of the (entire) machine without a water tank	1055
F	Length of the (entire) machine without suspension to the carrier vehicle	1970
G	Working width at 20° tilt	2770
H	Width of the (entire) machine at 20° tilt	3110

Table 5 Weights [kg] and capacities [l]

Sweeper type		ZP-2800
Sweeper without a waste tank [kg]		445
Waste tank [kg]		270
Side brush [kg]		50
Sprinkler equipment [kg]		85
Possibility to attach a front three-point hitch suspension tractor cat. II		355
Possibility to attach a wheel loader [kg]		depending on the vehicle type
Waste tank capacity (theoretical) [l]		600
Additional weight of the filled storage tank [kg] (filled with 70% dry sand)		640

## 5.2 General construction of the sweeper



**Photo 1.**

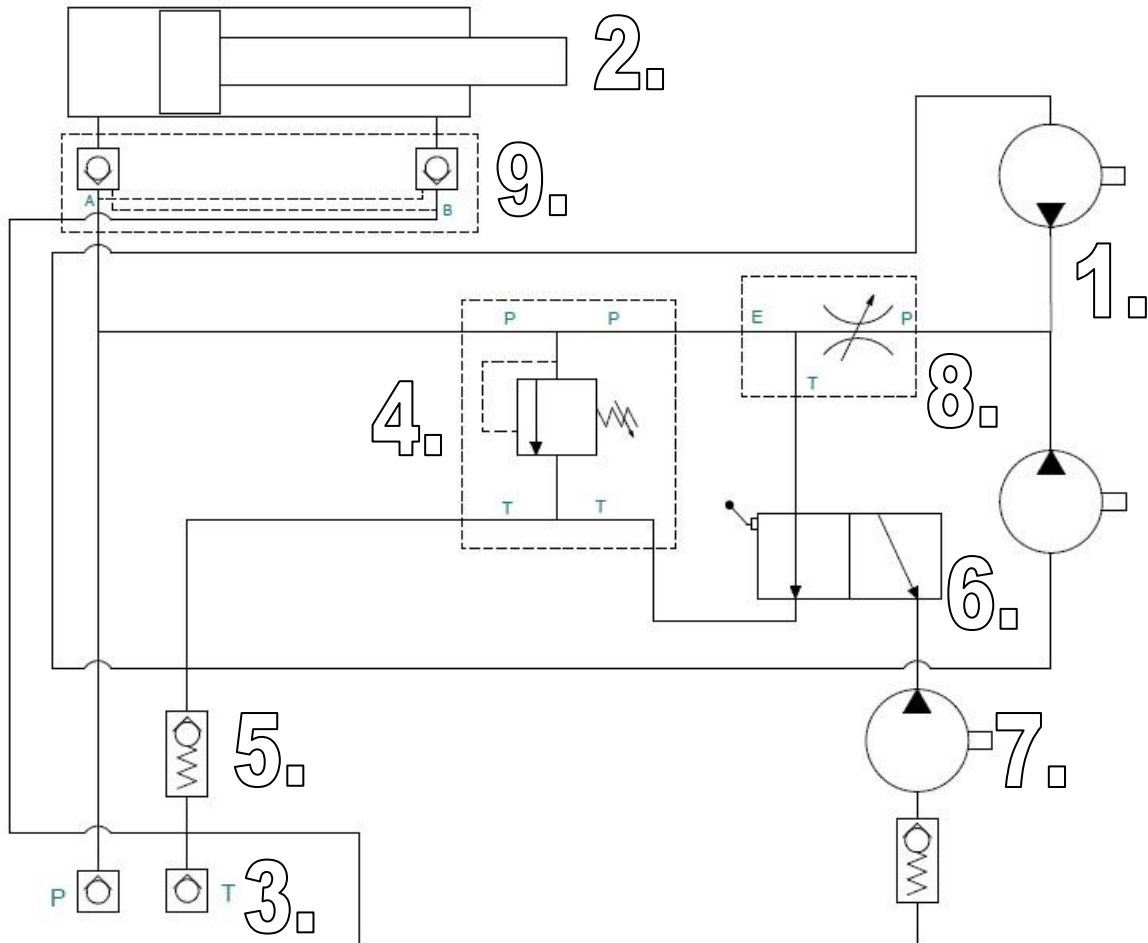
(1.) Suspension system; (2.) - Waste tank; (3.) - Sweeping roller; (4.) - Side brush; (5.) - Hydraulic system; (6.) - Sprinkler system; (7.) - Support wheels;

The suspension system (1) of the sweeper mounted on the frame using a spindle enables it to be turned and work in front of the carrier vehicle as well as operating at an angle. The sweeping roller (3) driven by hydraulic motors directs debris to the waste tank (2), which is drained from the operator's position using the hydraulic system (5). Sweepers additionally equipped with a side brush (4) allow sweeping up against walls or curbs. The sprinkler system (6) is controlled by the electrical system. Self-adjusting support wheels are used to support the machine on the ground during operation (7).



## 5.3 Structure and operation of the hydraulic system

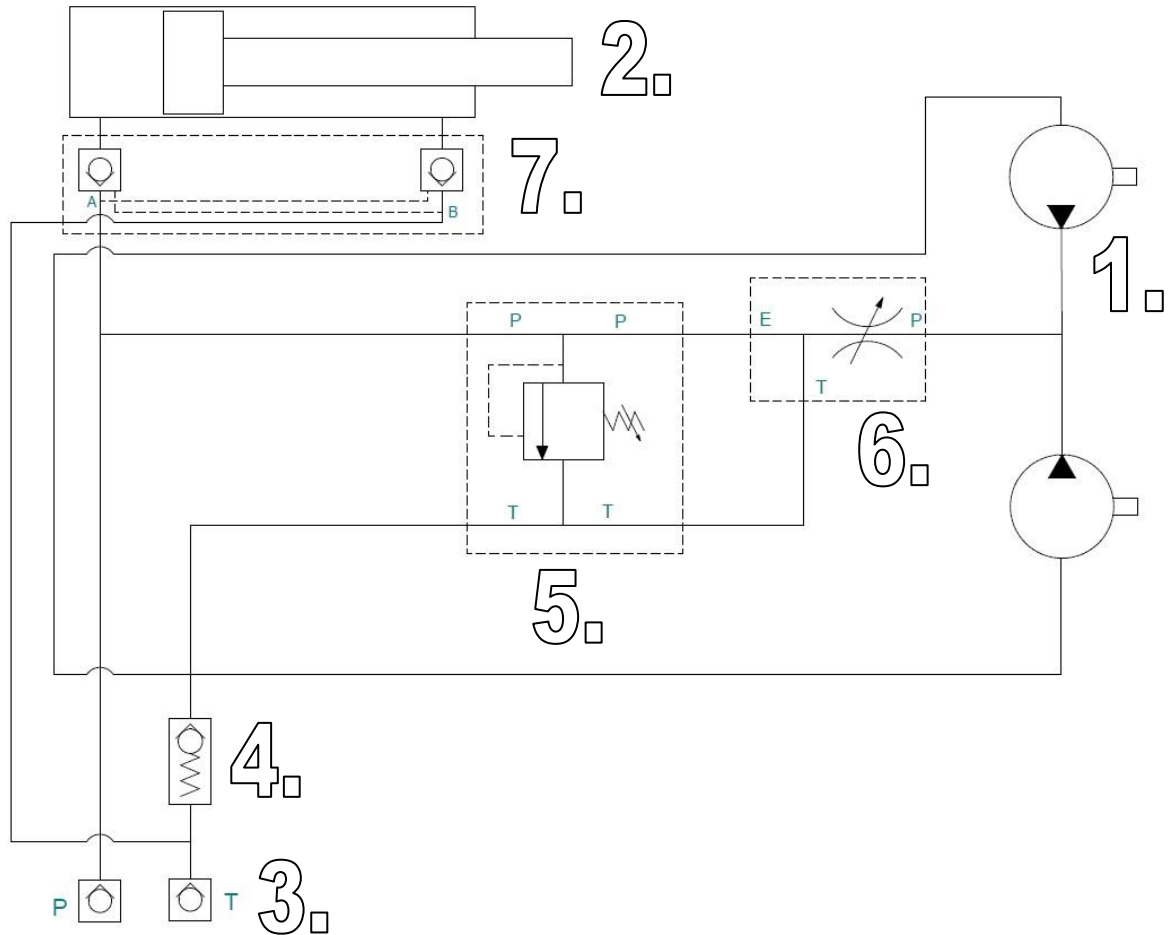
### 5.3.1 Version with side brush and hydraulic drainage of the waste tank



**Photo 2.**

(1) – sweeping roller hydraulic drive motor; (2) – waste tank tipping hydraulic cylinder;  
 (3) – hydraulic quick couplers; (4) – flow regulator; (5) – return valve; (6) – three-way  
 ball valve; (7) – side brush hydraulic drive motor; (8) – pressure limiting valve; (9) –  
 hydraulic lock

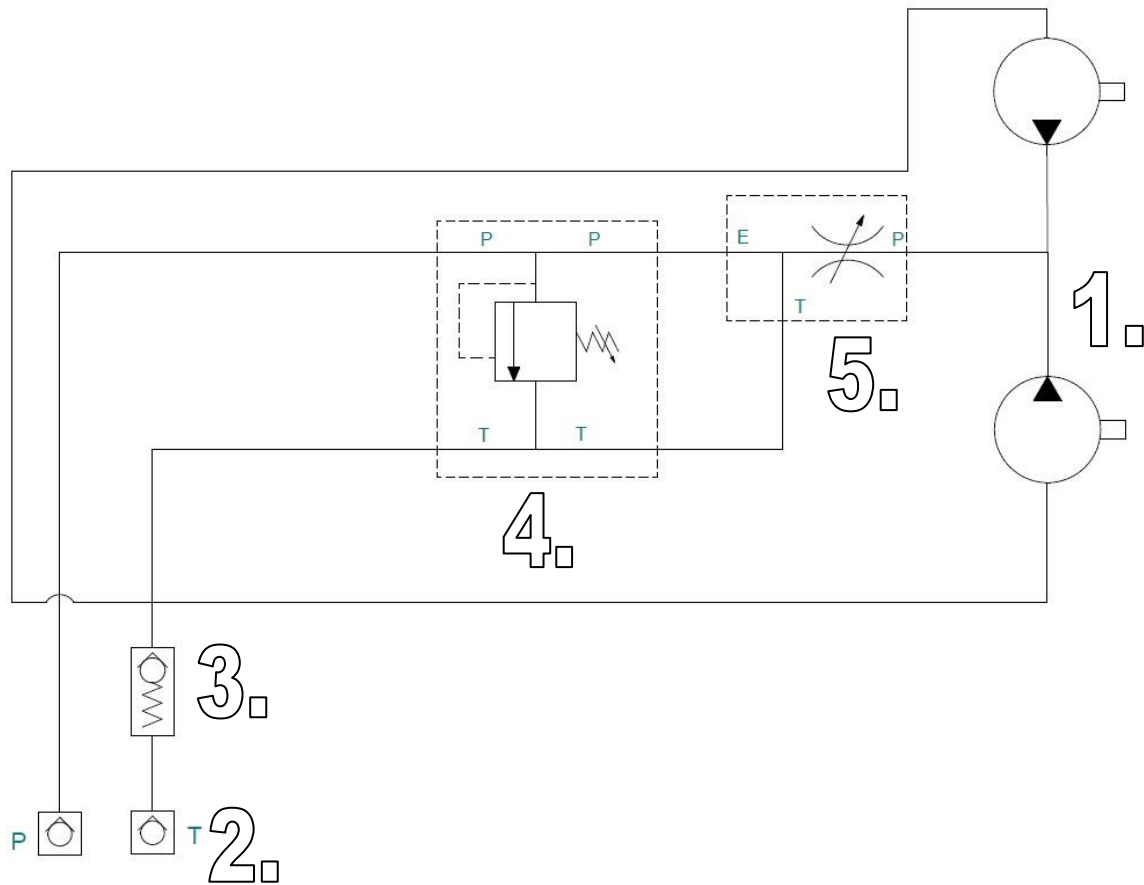
### 5.3.4 Version with hydraulic drainage of the waste tank



**Photo 5.**

(1) – sweeping roller hydraulic drive motor; (2) – waste tank tipping hydraulic cylinder; (3) – hydraulic quick couplers; (4) – return valve; (5) – flow controller; (6) – pressure limiting valve; (7) – hydraulic lock

### 5.3.5 Basic version



**Photo 6.**

(1) – sweeping roller hydraulic drive motor; (2) – hydraulic quick couplers; (3) – return valve; (4) – flow controller; (5) – pressure limiting valve

The user's responsibilities related to operating the hydraulic system include:

- checking the tightness of the actuator and hydraulic connections;
- checking the technical condition of hydraulic hoses and quick couplers;

The hydraulic system should be completely leak-proof. It is required to check the sealing locations. If any leaks are noticed, stop using the machine until the fault is rectified.



**Danger**

It is prohibited to carry out repairs of the hydraulic system on one's own; repairing any defects must be performed by a trained person.



**Danger**

Before commencing work, reduce the residual pressure.

While working, use personal protective equipment, i.e. protective clothing, footwear, gloves, glasses. Avoid contact of oil with eyes and skin.

In case of cuts or irritations, rinse with plenty of water and contact your physician.



**ATTENTION!**

Hydraulic oil in the form of mist is harmful to the respiratory tract.



**ATTENTION!**

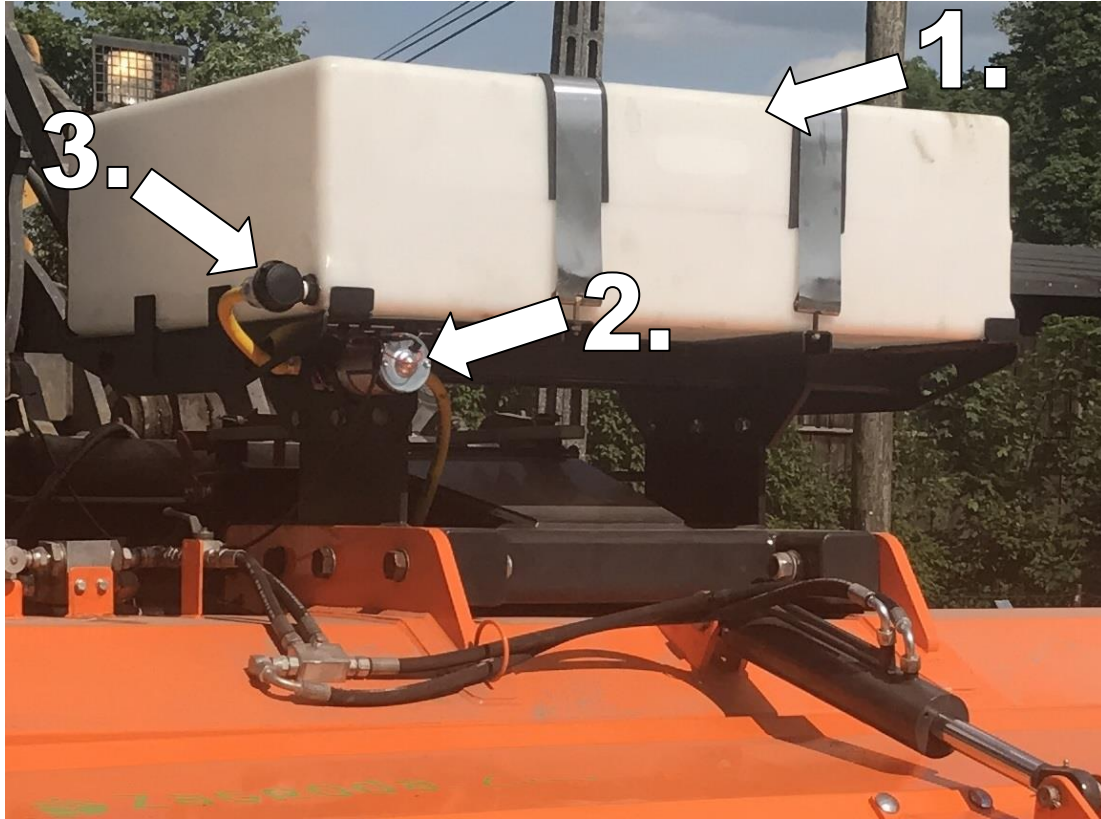
In case of fire, poisonous compounds are released. Fire should be extinguished with carbon dioxide (CO<sub>2</sub>), foam or firefighting steam. Do not use water under any circumstances!!!

The manufacturer recommends using HL32 hydraulic oil in a new sweeper.

**Table 5 Characteristics of the HL32 hydraulic oil**

ITEM	NAME	VALUE
1	Viscosity classification acc. to ISO 3448VG	32
2	Kinematic viscosity at 40°C	28.8 - 35.2 mm <sup>2</sup> /s
3	Quality classification acc. to ISO 6743/99	HL
4	Quality classification acc. to DIN 51502	HL
5	Ignition temperature [°C]	above 210
6	Maximum operating temperature [°C]	80

#### 5.4 Structure and operation of the sprinkler system

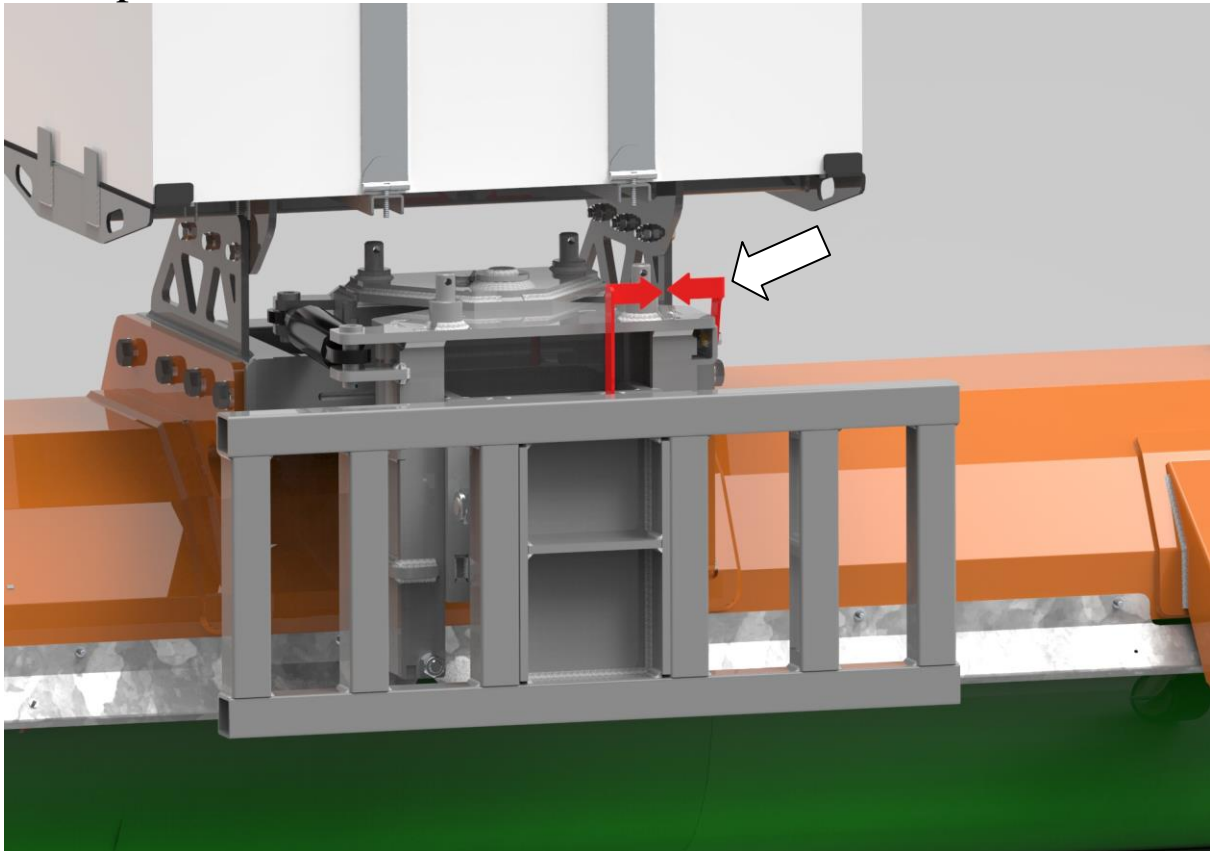


**Photo 7.**

The main elements of the sprinkler system are: water tank (1), water pump (2), water filter (3), spray nozzles (4) placed on a sprinkle bar behind the sweeping roller and on the side brush mount, effectively preventing dust from forming during machine operation. The system is controlled by a switch on the power cord.

The water sprinkler system should be periodically inspected and also the water filter located on the suction pipe should be cleaned (cleaning is recommended once a year, cleaning frequency depends on the water contamination level) together with the mesh filters in the nozzles.

## 6. Preparation to work



### Before starting work:

- visually assess the condition of the sweeper; if any defects are detected, remedy them immediately,
- mount the sweeper to the carrier vehicle,
- connect the hydraulic lines of the sweeper to the sockets of one section of the external hydraulic manifold of the vehicle,
- lift the sweeper upwards by about 30 cm from the ground to check the correct connection of the quick couplers; if the sweeping roller is rotating in the wrong direction or does not rotate, then swap the location of the quick connector plugs,
- position the sweeper so that it rests on all three support wheels; the red indicators show the correct positioning of the mounting bracket.



### **DANGER**

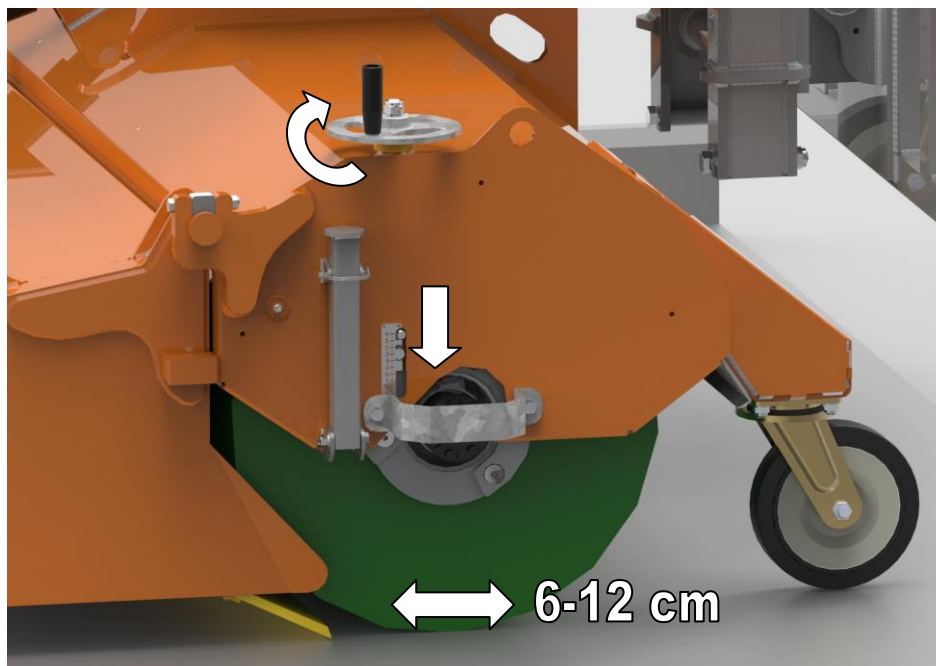
During the operation, do not stay between the machine and the vehicle. The person who helps to operate the machine should stay outside the danger zone and be visible to the operator at all times.

## 7. Proper positioning of the sweeper

### 7.1 Roller brush

Table 6. Sweeping rollers lining types

Lining types	Application	Advantages	Limitations
Polypropylene	Universal with light dirt (dust / sand / gravel)	Good cleaning performance	Partially suitable for heavy dirt
Steel/Polypropylene	Heavy dirt	Aggressive cleaning, long service life	Not suitable for breeding cattle
Snow sweeping roller: Polypropylene/Polypropylene + Steel	Snow and leaves	High ejection effect	Optimal for free sweeping



**Photo 9.**

The roller brush should be properly installed and adjusted.

The working surface of the brush should be min. 6 cm to max. 12 cm (see photo 9).

Depending on the amount of dirt, the pressure can be set individually. Pressure is set by rotating the crank. Pay attention to the position of the shaft position indicator so that both sides are in the same position.



When adjusting the roller brush, make sure the pressure is the same over the entire length of the roller.

Uneven setting results in faster wear of the roller brush.



**ATTENTION:** Excessive brush pressure on the cleaning surface causes excessive wear.

### 7.2 Hydraulic drainage of the tub

The tub is emptied by changing the direction of oil flow in the hydraulic system, where the return of oil generates the pressure needed to open the tub.

After emptying the tub, the original oil circuit required for the sweeper should be restored.

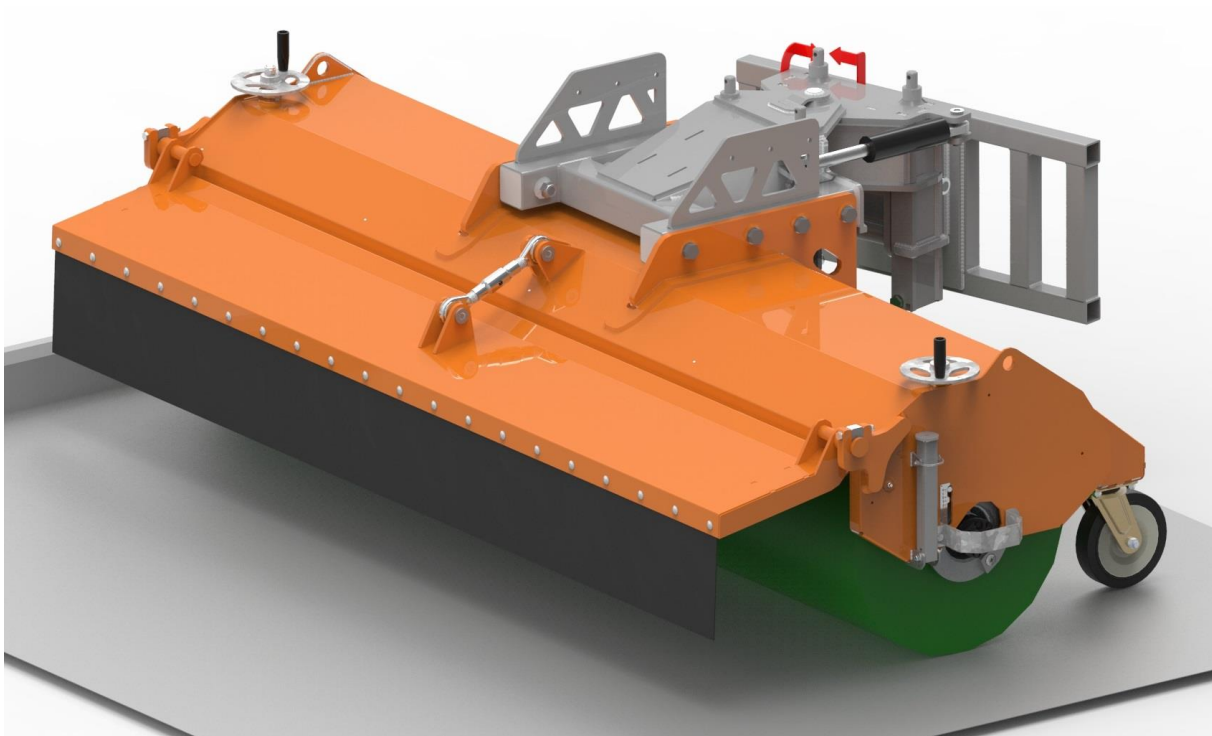


**ATTENTION !!!**

The tank can only be opened and closed with the sweeper lifted!!!



### 7.3 Sweeper operation without the waste tank



1. Overall view of the basic version for sweeping



**Attention!!!!** Do not remove the cover.  
The rubber cover (apron) protects against possible ejection of stones and other parts during operation of the sweeper.

#### Inactive sweeper without the waste tank



**When inactive:** After disconnecting the sweeper from the vehicle, the sweeper should always rest on support feet.  
**Reason:** If the sweeper is not supported by the support feet, the entire weight of the machine will rest on the roller brush and will cause it to deform.

#### 7.4 Side brush

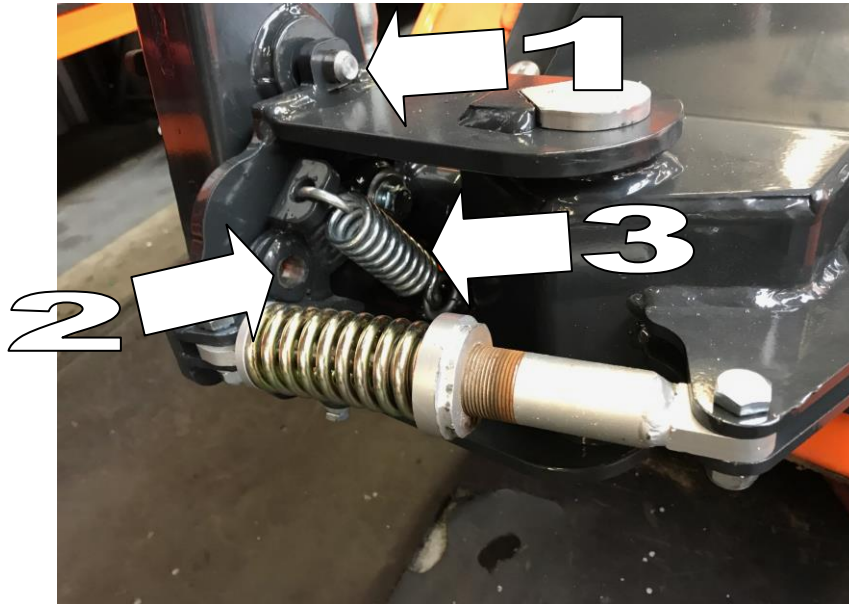


Photo 16.

Setting the side brush to the working position is done by pulling the lock and changing the plug position from hole "1" to hole "2". By setting the right spring tension of brush "3", the optimum wear of the brush is obtained. The brush pressure is adjusted using the nut (Photo 17) located under the brush arm.

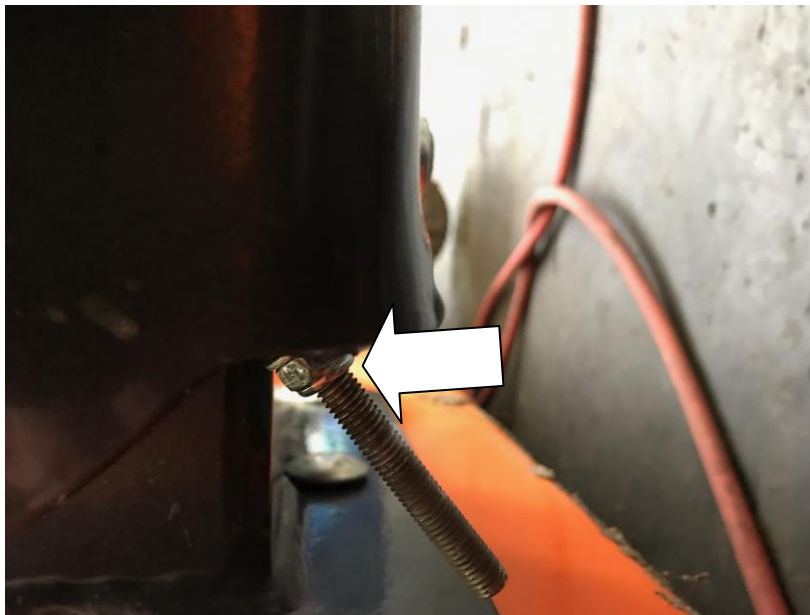


Photo 17.

Set the brush so that 1/3 of the surface touches the ground. To do this, loosen the nut and turn the frame counter-clockwise. Tighten the nut.



Photo 18.



Photo 19.

An additional possibility to adjust the brush advance is given by a bottle screw – Photo 19 "1"



**TALEX Sp. z o.o.**  
ul. Dworcowa 9c  
tel 77-141 Borzytucho  
.: +48 59 821 13 40  
e-mail: [biuro@talex-sj.pl](mailto:biuro@talex-sj.pl)  
[www.talex-sj.pl](http://www.talex-sj.pl)

If there is no need to use the side brush, pull the bolt (Photo 19 "2"), lift the brush up and secure it again by releasing the bolt and change the position of the ball valve so as to close the flow of hydraulic fluid to the side brush (Photo 20).

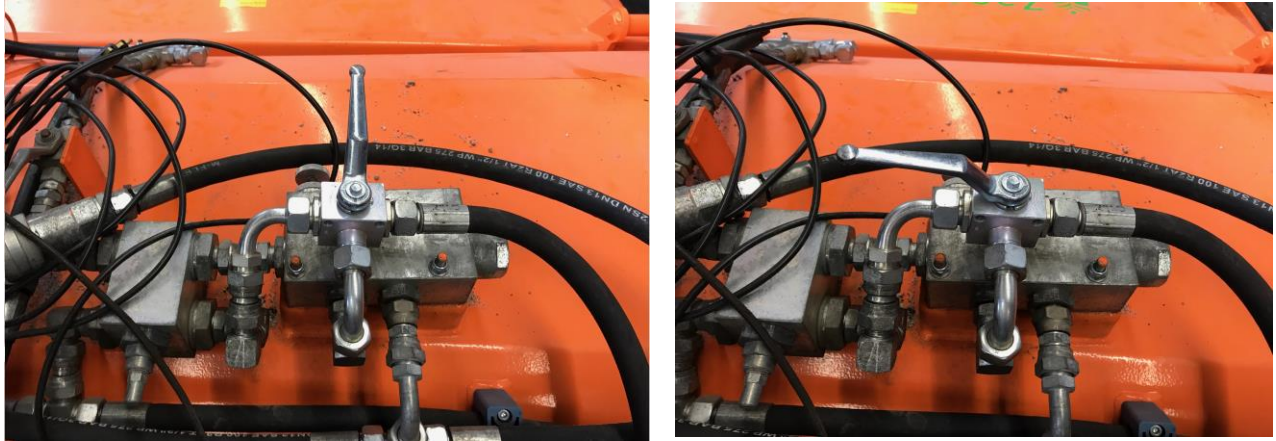


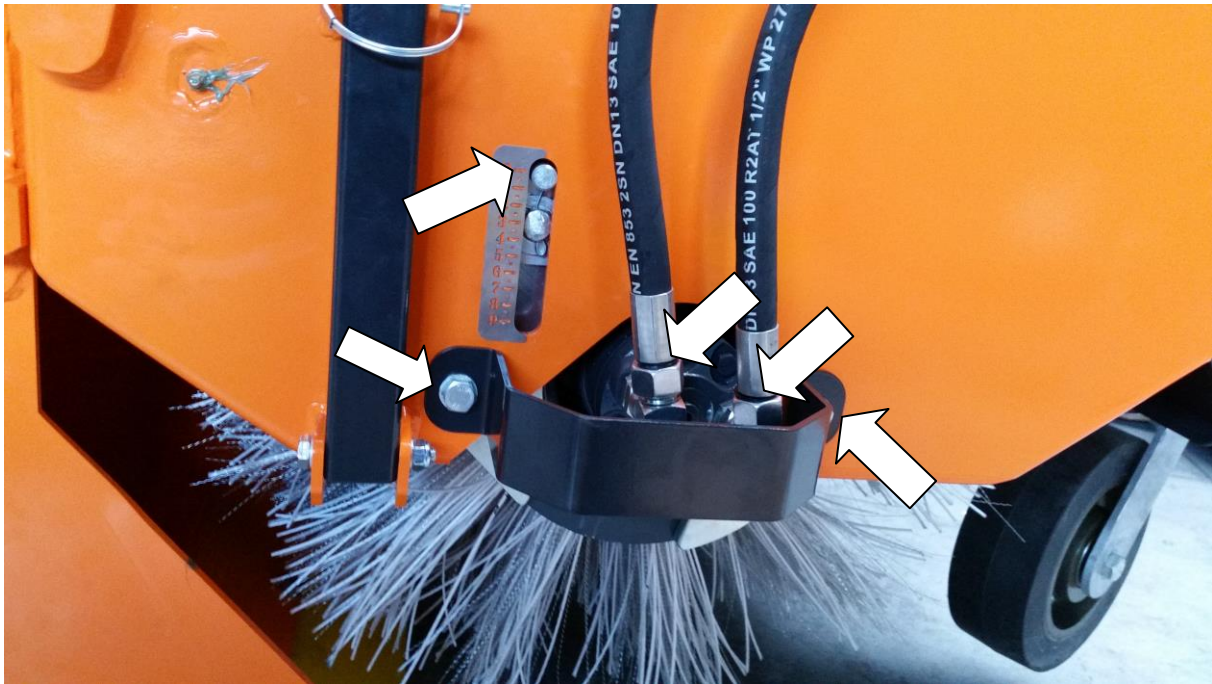
Photo 20.

## 8. Inspections and replacement of parts

### 8.1 Assembly and disassembly of the roller brush

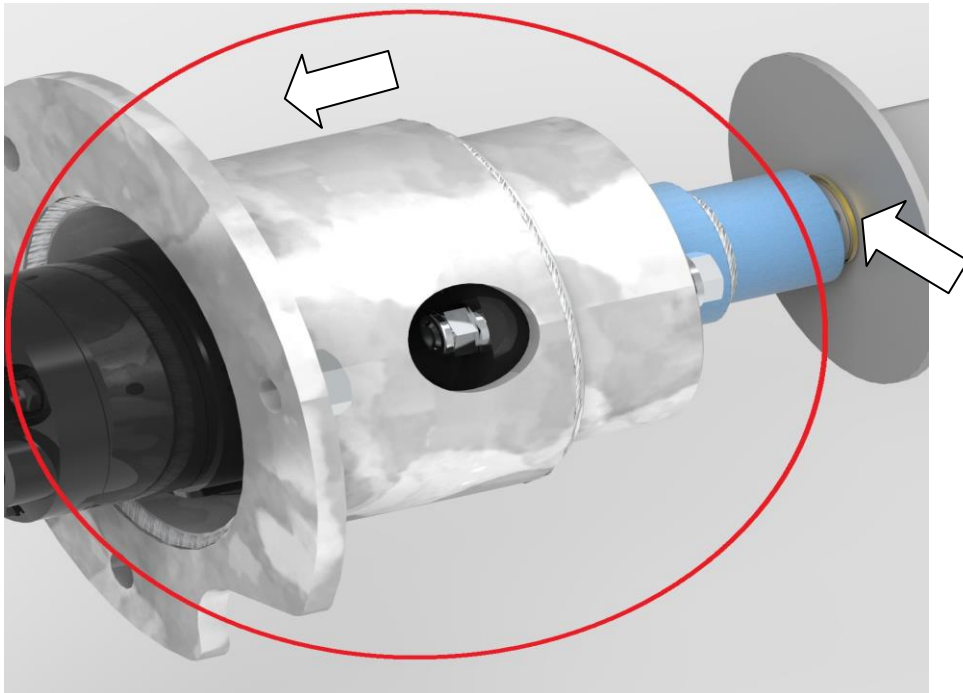
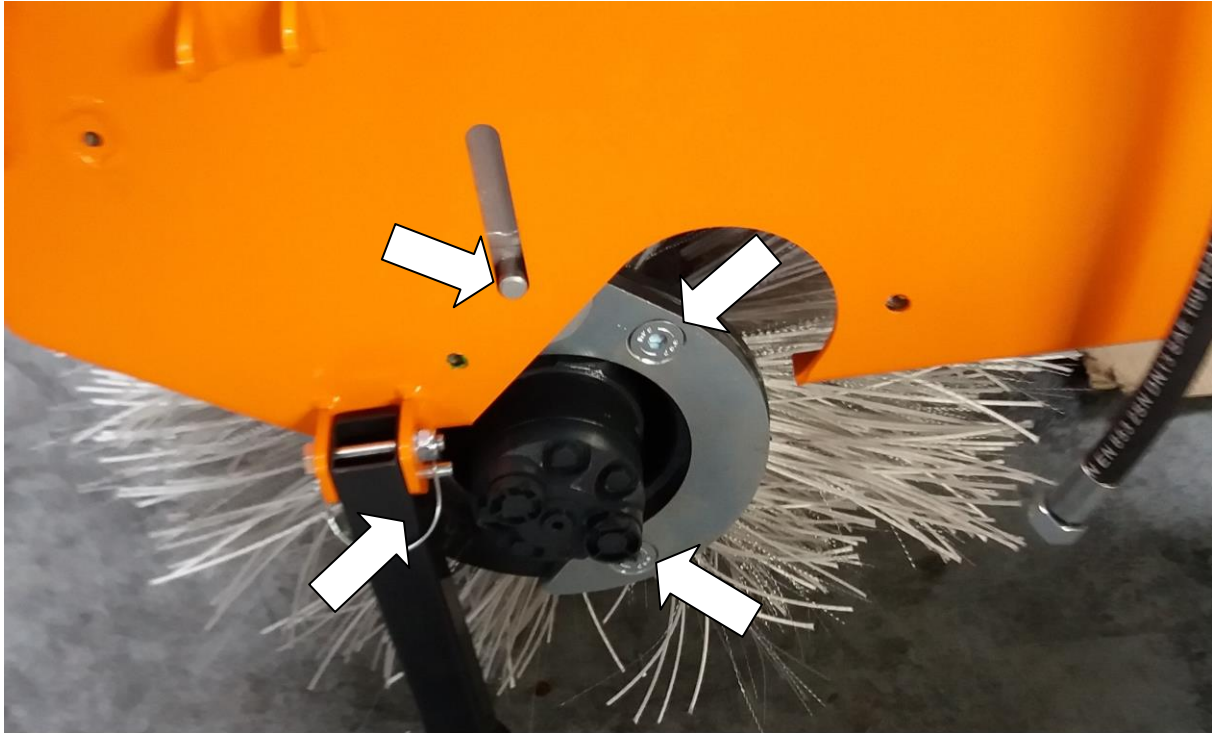


Before replacement, check that the sweeper is disconnected from the power supply and any residual pressure in the hydraulic system has been released



**Photo 20.**

1. The main brush is disassembled by dismantling the hydraulic motor cover. To do this, unscrew the 2 M12x25 screws, then unscrew the hydraulic hoses from the elbow fitting. Repeat these steps on the other side of the machine.
2. The next step is to evenly lower the working shaft to the lowest position, so that the shaft position indicator is in the position shown in the photo. Then unscrew the three M16x30 countersunk screws, repeat the steps on the other side.
3. Lift the machine up so that the working shaft remains on the ground, put the machine next to the shaft.
4. Remove elements marked in red in photo 3. Caution!!! Do not disassemble the elements - pull in the direction marked on the picture so that the blue connector slides off the spline.
5. Remove the Z34 retaining ring and the protective disc, then pull off subsequent segments of the cylindrical brush.
6. Assemble in the reverse order.

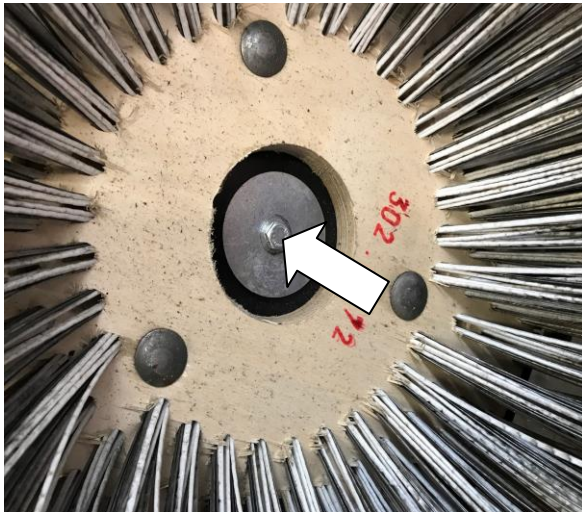


**Attention:**

- Lubricate the bearing pin before assembly.
- Make sure that the roller brush does not twist during assembly.

## 8.2 Assembly and replacement of the side brush

In order to remove the side brush, remove the M10x40 screw and then unscrew 3 M10 nuts. Remove the worn brush and replace it with a new one, then tighten the nuts and the screw again.



**Table 7. TIGHTENING TORQUE VALUES FOR BOLTS AND NUTS**

Durability	6.8	8.8	10.9	12.9
Metric thread	Tightening torque [Nm]			
M5	4.5	5.9	8.7	10
M6	7.6	10	15	18
M8	18	25	36	43
M10	37	49	72	84
M12	64	85	125	145
M14	100	135	200	235
M16	160	210	310	365
M18	220	300	430	500
M20	310	425	610	710
M22	425	580	820	960
M24	535	730	1050	1220



## 9. Troubleshooting

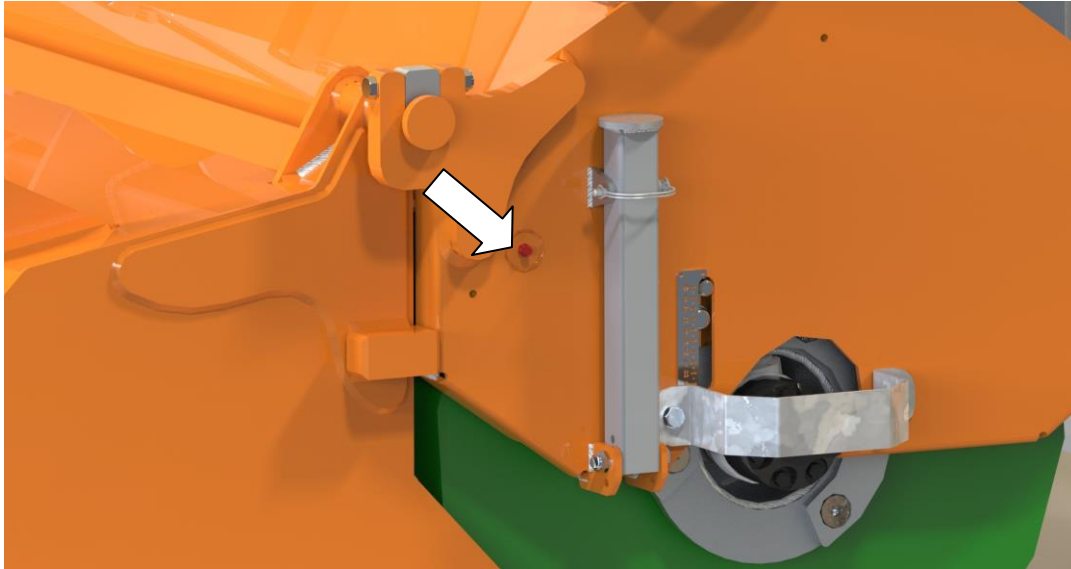
**TABLE 8**

FAILURE TYPE	CAUSE	POSSIBLE SOLUTION
The sweeping roller does not rotate or rotates in the wrong direction	Hydraulic system not connected or incorrectly connected	Check the connection
	The vehicle's hydraulic system circuit not connected or wrong circuit connected	Switch on the appropriate hydraulic circuit in the vehicle
	Defective hydraulic system	Call the service center
The side brush does not rotate	Hydraulic system not connected or incorrectly connected	Check the connection
	Side brush drive switched off	Turn on the brush drive splitter lever
	Defective hydraulic system	Call the service center
The side brush rotates too slow or too fast	Oil flow controller in the sweeper system set incorrectly	Adjust the brush speed using the oil flow control knob
The waste tank does not open or close	Hydraulic system not connected or incorrectly connected	Check the connection
	The vehicle's hydraulic system circuit not connected or wrong circuit connected	Change the direction of oil flow in the hydraulic circuit using the distributor lever in the vehicle.
The sprinkler system does not operate	The sprinkler system is off	Connect the plug to the vehicle's electrical socket, check the switch
	The water pump electrical supply not connected	Check the connection of the socket plug in the vehicle.
	No water in the tank	Refill with water
	The sprinkler system is blocked	Check the patency of the system, clean the mesh inserts of the water filters and sprinklers
	Water pump defective	Call the service center
The sweeper does not collect impurities accurately	The speed of the sweeping roller is too low	Increase engine speed
	Roller brush pressure incorrectly set	Adjust in line with the manual
	Waste tank incorrectly positioned	Adjust in line with the manual
	Side brush incorrectly positioned	Adjust in line with the manual
	Driving speed too high	Adjust the driving speed
	Waste tank full	Empty the tank
	Brushes excessively worn	Replace
Fast wear of the brushes	Roller brush pressure incorrectly set. Side brush incorrectly positioned	Adjust in line with the manual
Ejection of dirt from under the sweeper	Brush speed too high. Brushes positioned incorrectly. Incorrect position on the vehicle	Check and adjust in line with the manual



## 10. Lubrication points

The lubrication points for the shaft guiding must be lubricated at least once a month with machine grease ŁT43.



## 11. After-season service

Includes all activities specified in the item “Things to do after your work has been completed”. In addition, the machine should be stored under shelter, on a flat and hard surface. Attention should be paid to the condition of the paint coating. If there are any defects in the coating, clean the spot and apply a new protective coating.

## 12. Disassembly, utilization and environment protection

Protect your hands (and body) against injuries, and the harmful effects of lubricants and oils.

Use personal equipment measures and tools which are in good mechanical condition.

Machine elements, which when dismantling can move or rotate, must be properly secured.

Worn or damaged parts obtained during the repair (scrapping) should be stored in a separate area with limited access of people and animals. Worn out metal parts must be delivered to the scrap metal collection points. Worn out plastics must be delivered to the chemical waste collection (utilization) points.

When filling up or replacing the oil, avoid its spillage. Store the waste oil in sealed containers, and periodically deliver it to the special collection (utilization) points.



Abandoned parts or machine components, and spilled oil, may pose a risk of accident, cause an environmental pollution and violate applicable laws.



### 13. Warranty

## WARRANTY CARD

Factory no.	.....	Type	.....
Year of manufacture	.....	Quality Control (KJ)	.....

Under the warranty, the manufacturer undertakes to repair, free of charge, any physical defects revealed during the warranty period, i.e. 12 months from the date of sale.

The manufacturer will be exempt from liability under the warranty in case of:

- Mechanical damage to the machine, which occurred after it was delivered to the user;
- Improper use, maintenance, storage of the machine, in particular if not compliant with the instruction manual;
- Execution of any repairs by unauthorized persons and without the consent of the manufacturer;
- Introducing design changes without consulting with the manufacturer;

The Warranty card is valid if it has the signature of the seller, and the date of sale confirmed by the official stamp of the dealer. It must not contain deletions and amendments by unauthorized persons. A duplicate of the warranty card may be issued upon written request after presentation by the user of the proof of purchase.

In the case of an unjustified service call to warranty repair, the related costs will be borne by the user. The user must report any complaints immediately after the damage, directly to the dealer or to the manufacturer.

The manufacturer will carry out warranty repairs within 14 days from the date of the complaint.

The guarantee will be extended by the repair time counted from the date of the complaint until to the date of completion of the service if the defect prevents the use of the machine.

The guarantee does not cover normal wear and tear of parts such as bearings, support wheels, roller brushes, side brushes, elements of hydraulic installations (hydraulic couplings, hydraulic motors, rubber hoses, valves, regulators, etc.), elements of the irrigation installation (water pump, water filter, spray nozzles), rubber cover, fasteners, etc.

Date of sale: \_\_\_\_\_  
(Day, month, year)

\_\_\_\_\_  
(Signature and stamp of a dealer)



## WARRANTY REPAIRS RECORDS

To be filled by the manufacturer

Date of complaint claim: \_\_\_\_\_

The scope of repair and parts used: \_\_\_\_\_  
\_\_\_\_\_  
\_\_\_\_\_

Date of complaint resolution: \_\_\_\_\_

Warranty period extended until: \_\_\_\_\_

\_\_\_\_\_

(Dealer's signature and stamp)

Date of complaint claim: \_\_\_\_\_

The scope of repair and parts used: \_\_\_\_\_  
\_\_\_\_\_  
\_\_\_\_\_

Date of complaint resolution: \_\_\_\_\_

Warranty period extended until: \_\_\_\_\_

\_\_\_\_\_

(Dealer's signature and stamp)

Date of complaint claim: \_\_\_\_\_

The scope of repair and parts used: \_\_\_\_\_  
\_\_\_\_\_  
\_\_\_\_\_

Date of complaint resolution: \_\_\_\_\_

Warranty period extended until: \_\_\_\_\_

\_\_\_\_\_

(Dealer's signature and stamp)

Date of complaint claim: \_\_\_\_\_

The scope of repair and parts used: \_\_\_\_\_  
\_\_\_\_\_  
\_\_\_\_\_

Date of complaint resolution: \_\_\_\_\_

Warranty period extended until: \_\_\_\_\_

\_\_\_\_\_

(Dealer's signature and stamp)



**TALEX Sp. z o.o.**  
 ul. Dworcowa 9c  
 tel 77-141 Borzytucho  
 : +48 59 821 13 40  
 e-mail: biuro@talex-sj.pl  
 www.talex-sj.pl



**WARRANTY FORM NO. ....**

Full name :.....

Address:.....

Postal code :.....

City :.....

Telephone No. :.....

Email address :.....

Means of complaint claim:.....

Name of the subject of complaint: .....

Name of the dealer :.....

Proof of purchase - VAT invoice no. ....dated .....20.....

Description of fault / damage :.....

.....

.....

The agreed date for the complaint resolution :.....

Means and time of the complaint resolution :.....

.....

Date the fault occurred / was discovered: .....20.....

.....

Date, full name